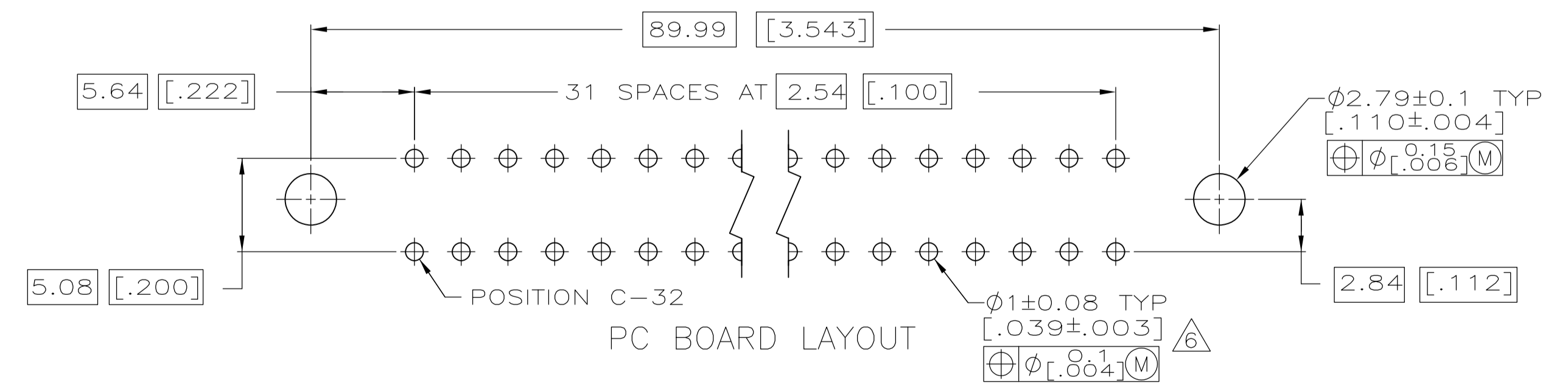
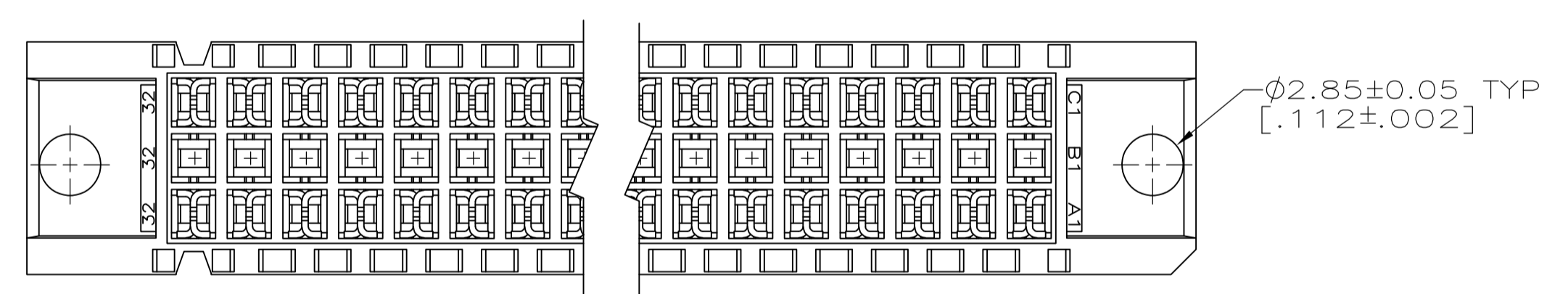
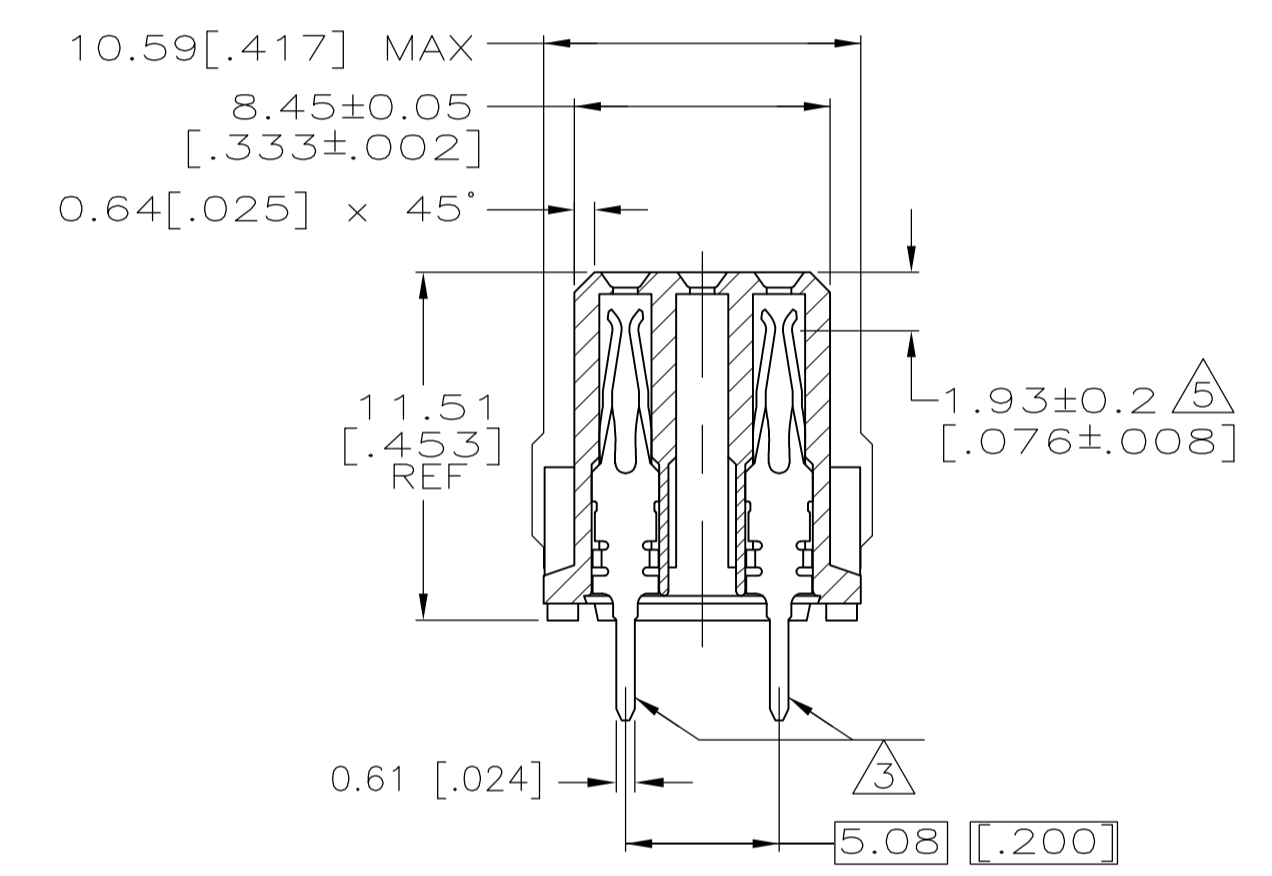
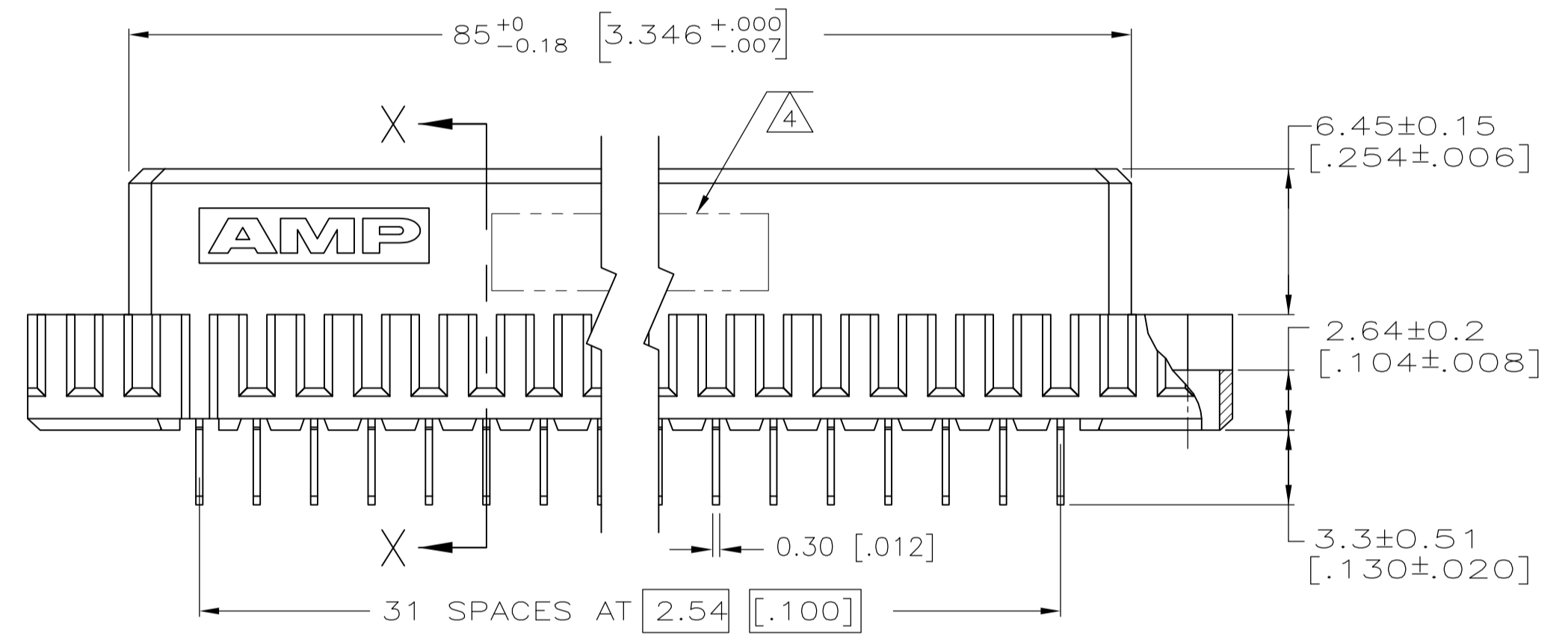
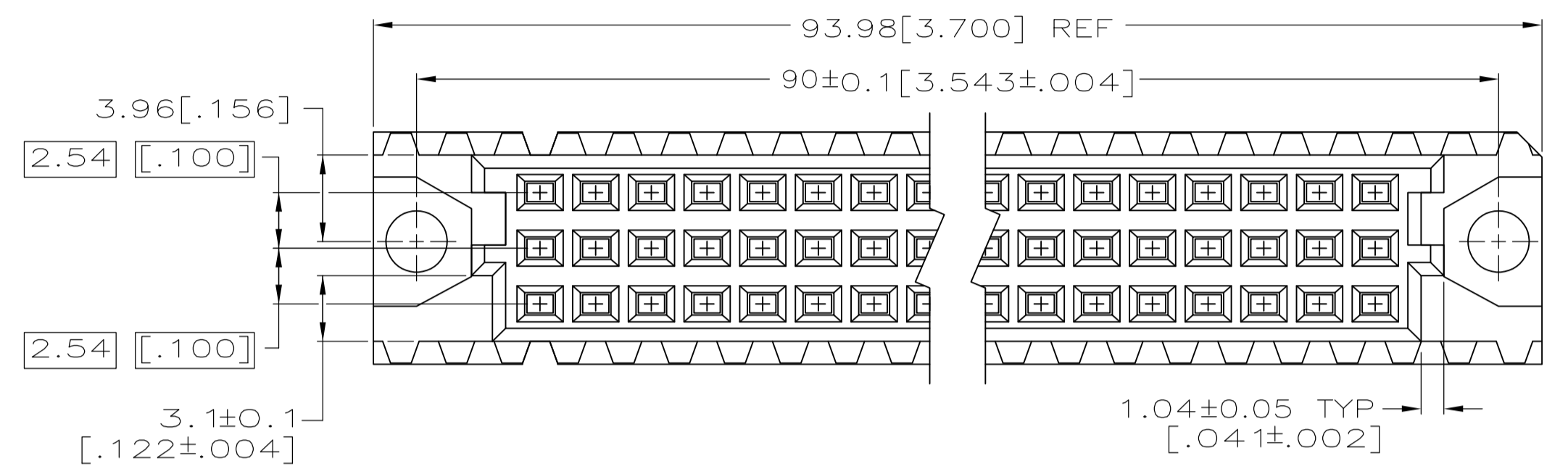


- 1 HOUSING MATERIAL: GLASS-FILLED POLYMER.
- 2 CONTACT MATERIAL: COPPER ALLOY.
- 3 CONTACT FINISH: DIN 41612 CLASS 2 IN CONTACT AREA. TIN PLATE ON POSTS.
- 4 PART NUMBER, DATE CODE IDENTIFICATION, CSA LOGO IN THIS APPROXIMATE AREA, ON REVERSE SIDE.
- 5 CONTACT POINT.
- 6 RECOMMENDED HOLE SIZE FOR MANUAL APPLICATION OF CONNECTOR ONTO PC BOARD.
- 7 CONTACT FINISH: 0.000076 [.000003] MIN GOLD IN CONTACT AREA. 0.00127 [.000050] NICKEL UNDERPLATE ALL OVER. TIN ON POSTS. CONTACT AREA LUBRICATED WITH BELLCORE APPROVED LUBRICANT, TECHNICAL REFERENCE GR-1217-CORE, ISSUE 1, NOVEMBER 1995.
- 8 HOUSING MATERIAL: HIGH TEMP GLASS-FILLED POLYMER.



1/2	3	1-32	C	32	5650956-5
		NONE	B	0	
8/2	3	1-32	A	32	5650956-8
		NONE	B	0	
1/2	7	1-32	C	32	5650956-3
		NONE	B	0	
MATERIAL	FINISH	POSITIONS LOADED	ROWS	NO. OF LOADED POSITIONS	PART NUMBER

THIS DRAWING IS A CONTROLLED DOCUMENT.

DIMENSIONS: mm [INCHES]	TOLERANCES UNLESS OTHERWISE SPECIFIED:	DIN J. POLIGNONE 03JUN05	STE TE Connectivity
0 PLC ± -	1 PLC ± -	CHK A. SHARPE 03JUN05	NAME ASSEMBLY, RECEPTACLE, EUROCARD, TYPE C, LEAD-FREE, A and C, 64/96 POSITION, 3.30 [.130] SOLDER POSTS
2 PLC ± -	3 PLC ± 0.1 [.005]	APVD A. SHARPE 03JUN05	PRODUCT SPEC
4 PLC ± -	ANGLES ± -	APPLICATION SPEC	SIZE A1
SEE TABLE	SEE TABLE	WEIGHT	CAGE CODE DRAWING NO. 00779 5650956
		CUSTOMER DRAWING	SCALE 4:1 SHEET 1 OF 1 REV B